

compactSteam

Electrode Steam Humidifier

Umidificatore a vapore per ambienti residenziali

CAREL

B&T
Tsolakidis

Heating · E-shop



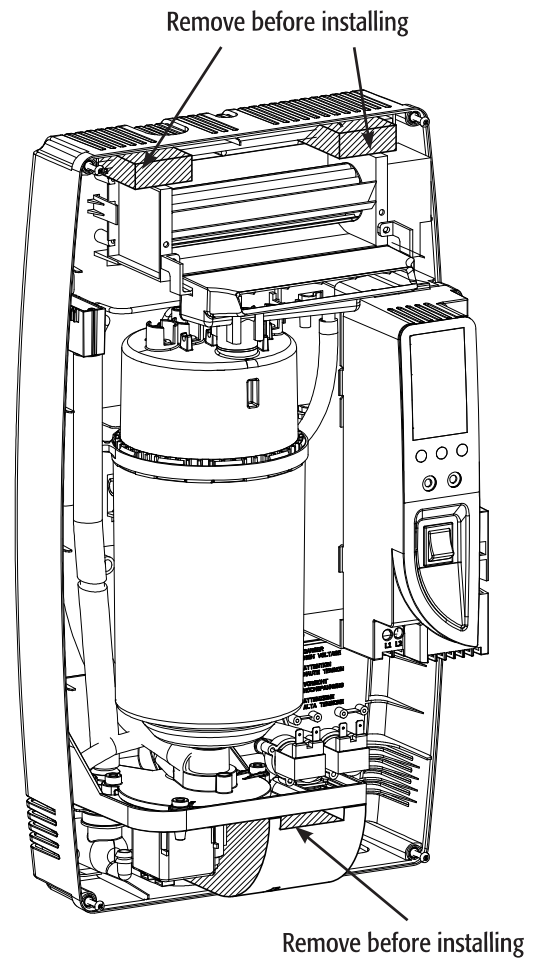
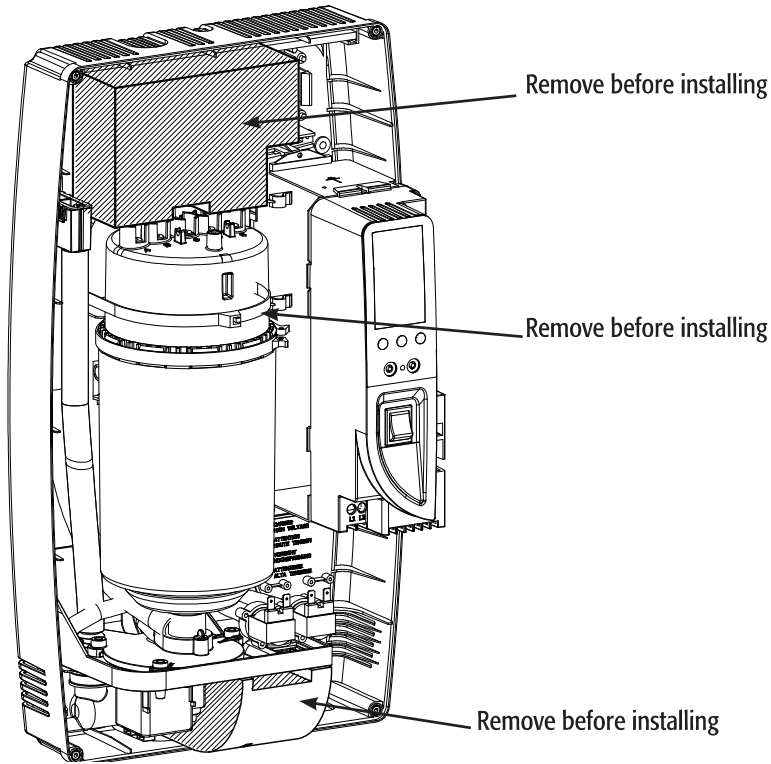
(ENG) User manual

(ITA) Manuale d'uso

Warning

If present, remove the following items:

Close the cylinder clamp



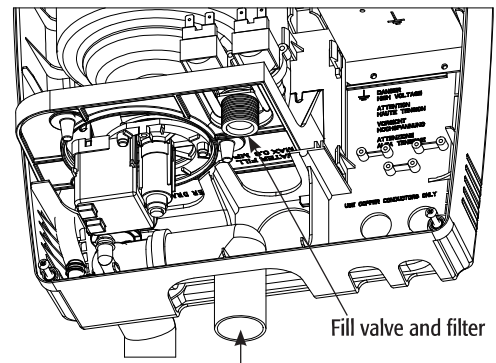
Water drain

As well as the connection to the main water supply, compactSteam also requires connection to a drain pipe for emptying the water in the cylinder whenever necessary. The drain tubing can be connected from the rear (as shown in Fig. 3.i) or from the bottom of the unit using the elbow connector supplied (Fig. 3.g and 3.h).

The characteristics of the drain line are shown in Tab. 3.e.

The drain tubing must have a minimum inside diameter of 32 mm (1-1/4") and must be secured to the humidifier drain outlet without requiring additional support. The drain tubing must have a minimum slope of 5°, and a drain trap must be installed to prevent the return of odors, as illustrated in Fig. 3.h and 3.i. In addition, a funnel should be used to interrupt continuity in the drain line and prevent flooding inside the unit.

The compactSteam unit is fitted with a tempering valve that, opening at the same time as the pump, adds cold water to the drain line, thus ensuring a maximum temperature of the drain water of 60°C /140°F.



Water drain
Fig. 3.g

Instant drain flow 50Hz	25 l/min / 6,6 gpm
Instant drain flow 60Hz	26,2 l/min / 7 gpm
Rated connection diameter	32 mm / 1-1/4"
Drain temperature	60 °C / 140 °F

Tab. 3.e

Key:

1	Supply
2	Manual valve
3	External filter (recommended)
4	Drain funnel
5	Drain
6	Water fill hose (FWH3415000 or FWH3430000)

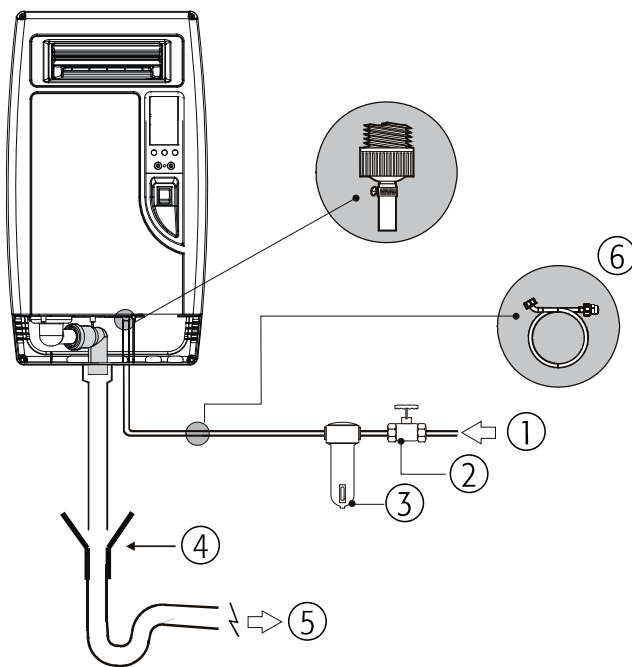


Fig. 3.h

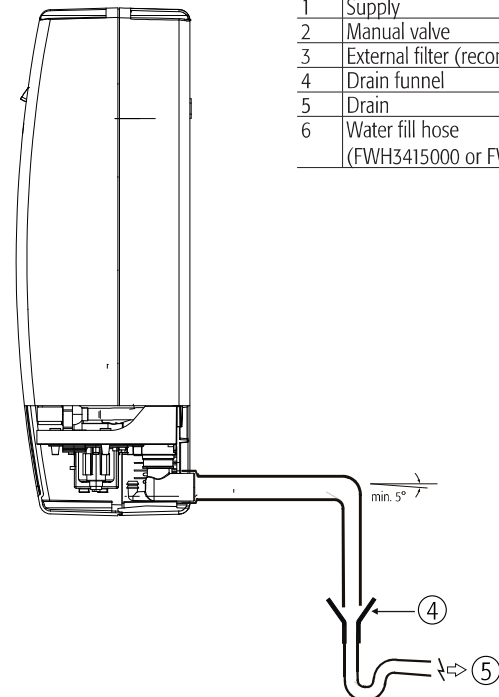


Fig. 3.i

3.6 Steam distribution

Steam injection in the duct

The maximum static pressure allowed in the duct is 950 Pa (95 mm water column /3.7" W.C.)
The compactSteam duct models can be used with the plastic nozzle shown in Figure 3.j (CAREL code SDPOEM00**) for the injection of steam in the duct. The dimensions are shown in Table 3.f. These distributors can be fitted horizontally or vertically (hole facing upwards).

Installing the CAREL SDPOEM00** jet distributors (see Fig.3.j)

- make a series of holes on the wall according to the distributor drilling template (included in the packaging);
- insert the distributor with the steam opening inside the duct; fasten the flange using 4 screws.

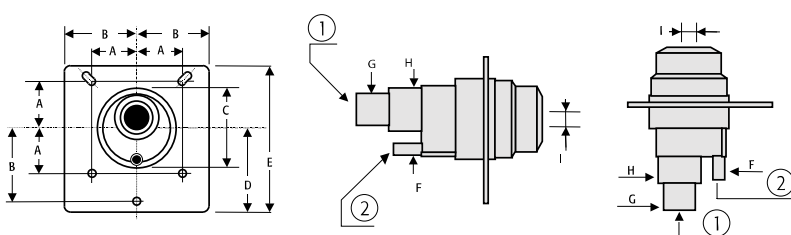


Fig. 3.j

	Millimetres	Inches
A	31.5 mm	12.4"
B	50 mm	1.96"
C	56 mm	2.20"
D	57.5 mm	2.26"
E	100 mm	3.93"
F	Ø 8 mm	Ø 0.31"
G	Ø 22 mm	Ø 0.86"
H	Ø 30 mm	Ø 1.18"
I	12 or 22 mm	0.47 or 0.87"

1	Steam inlet
2	Condensate outlet

Tab. 3.h